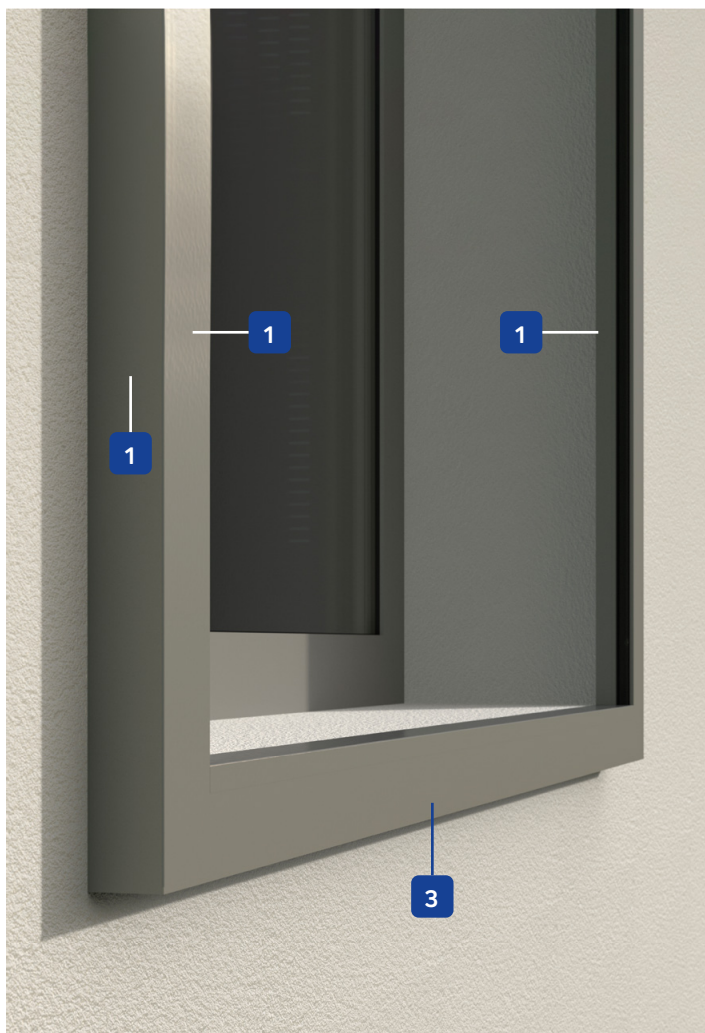


Mounting profile SGR

The installation option for front fixing of
Regazzi side guide rails

Benefits of Mounting profile SGR



1 No visible fastening elements (such as screws or cover caps) thanks to the special profile design. Compact components for a **minimal and elegant installation**;

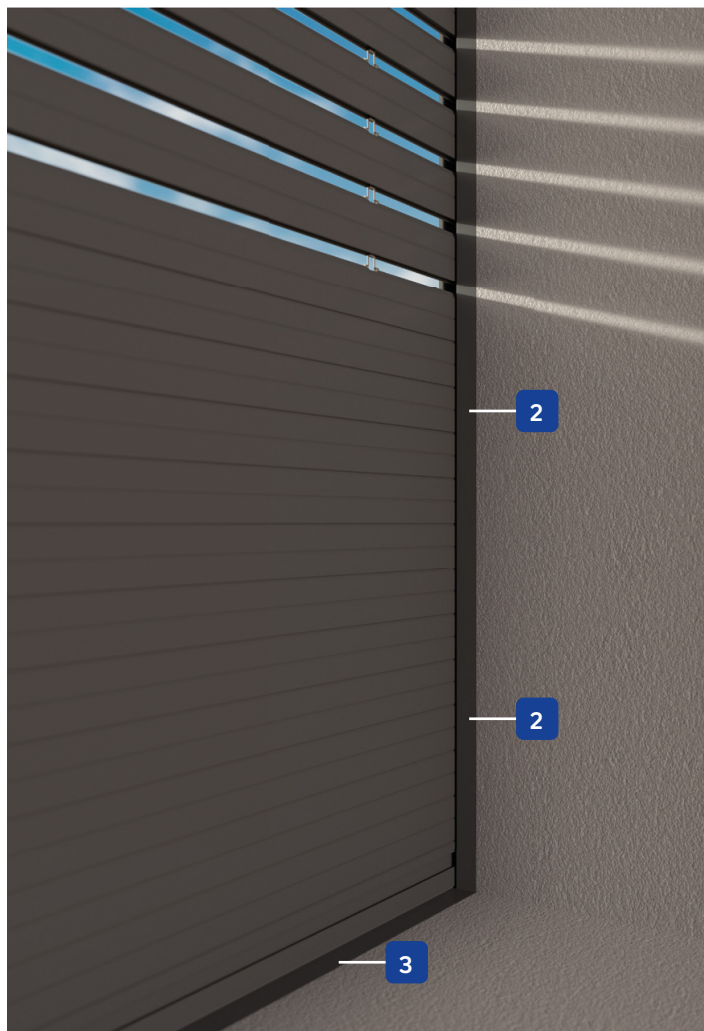
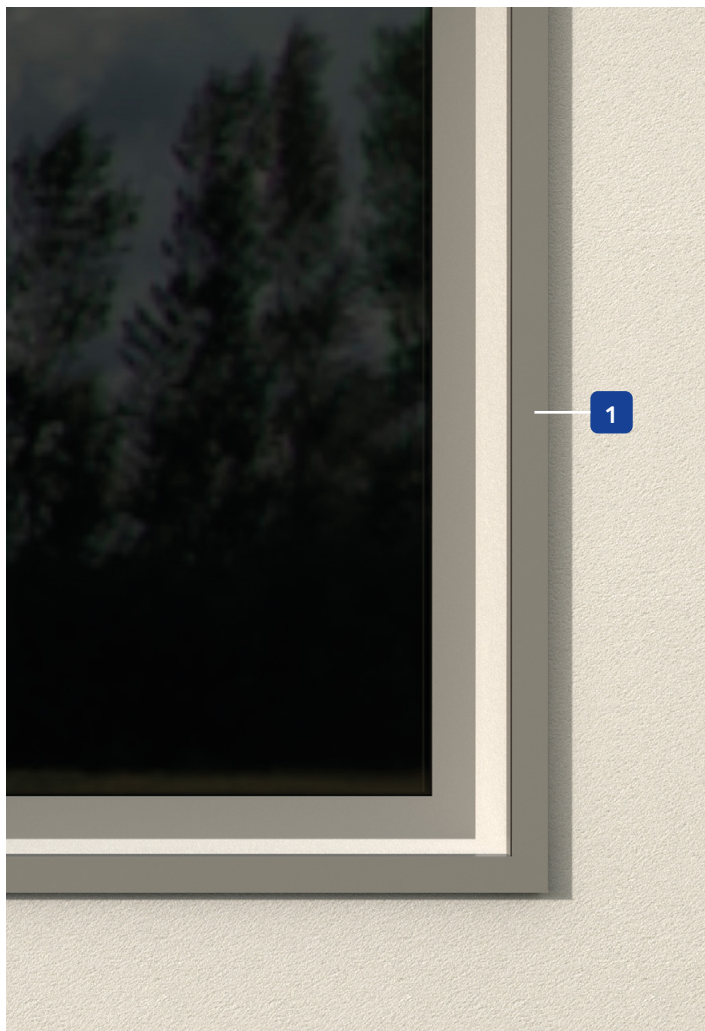
2 Side blackout: the profile is designed to eliminate all light penetration between the surface of the wall and the side guide rails of the roller shutter;

3 Bottom blackout: in the absence of a window sill, the additional application of the **blackout profile** ensures a solid and continuous support along the entire length of the bottom bar of the shutter curtain. This solution ensures blackout in the lower area of the roller shutter when it is in closed position;

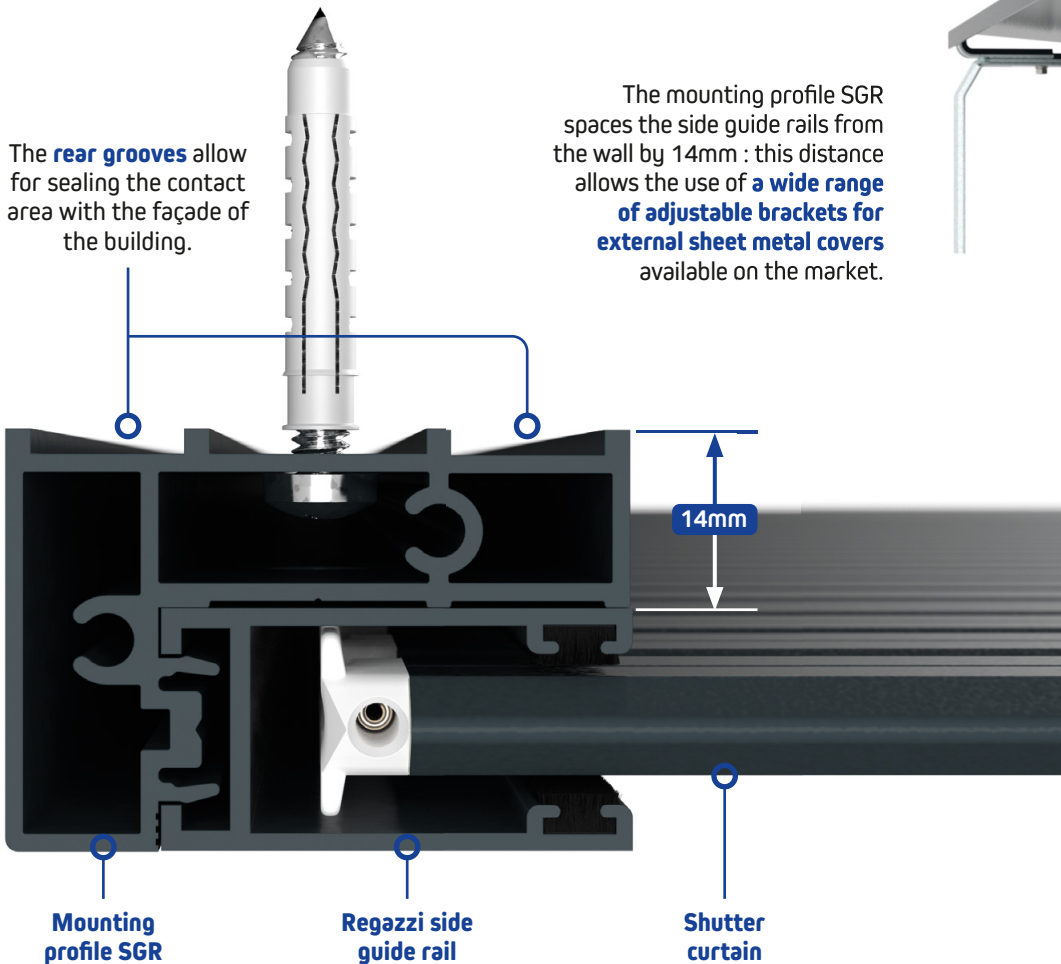
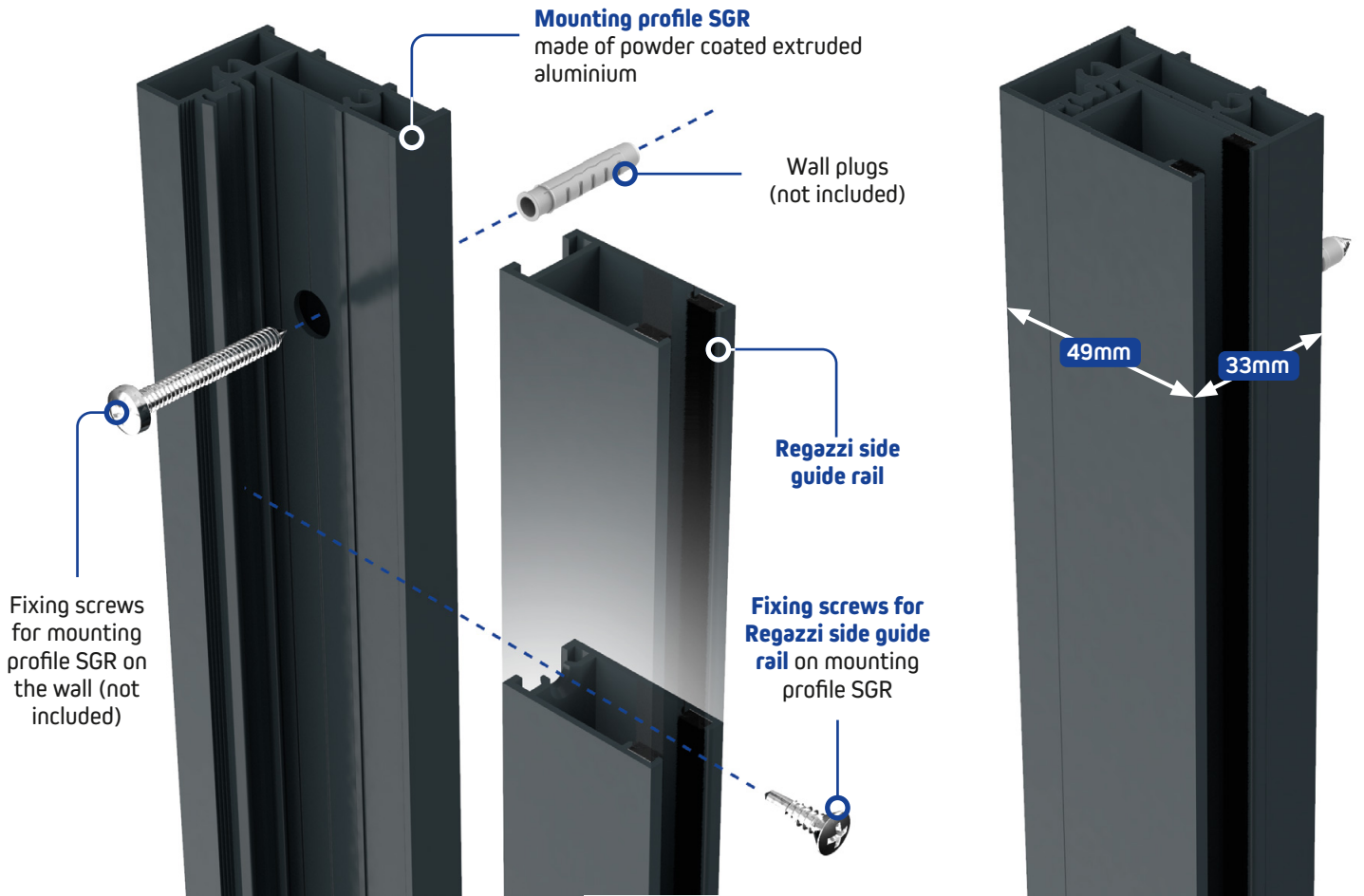
Stronger and more stable side guide mounting system compared to conventional mounting brackets;

Allows the disassembly of the side guide rails **without have to remove the screws of the wall plugs**;

Compatible with the most of the adjustable brackets for external sheet metal covers available on the market.



Mounting profile SGR in detail



The **sliding zone of the shutter curtain is independent** by the zone where the fastening points for the building façade are located: this solution allows greater flexibility in the use of different types of fastening screws while at the same time avoiding possible jamming of the shutter curtain.



The mounting profile SGR generally **replaces** all installations where:

- is planned the use of side guide rail brackets;
- is planned the frontal drilling of side guide rails.

The product is available in 3 configurations:

A. Mounting profile SGR

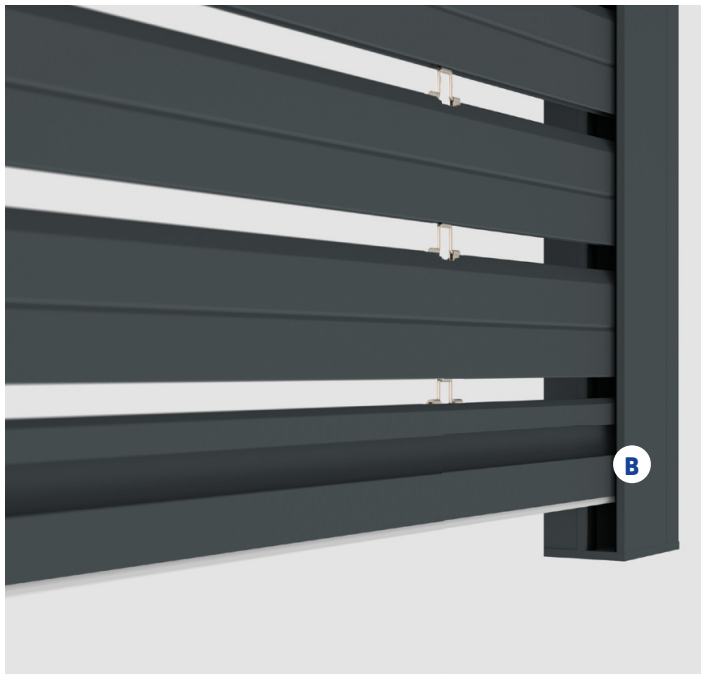
Only the mounting profiles for the guide rails and its fixing screws are supplied;

B. Mounting profile SGR with end caps for side guide rail

This configuration replaces the additional application of end caps for guide rails;

C. Mounting profile SGR with blackout profile

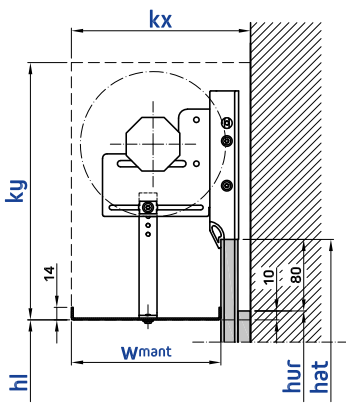
Compared to option B, this configuration ensures blackout in the lower area of the roller shutter when it is in closed position. The blackout profile is to be fixed on the façade of the building.



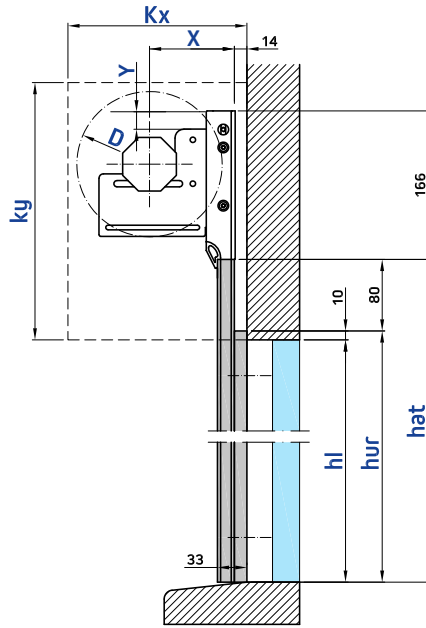
Compatible with all systems equipped with **Regazzi self-supporting side guide rail**.

The product is supplied for the 3 configurations with **all powder coated components**.

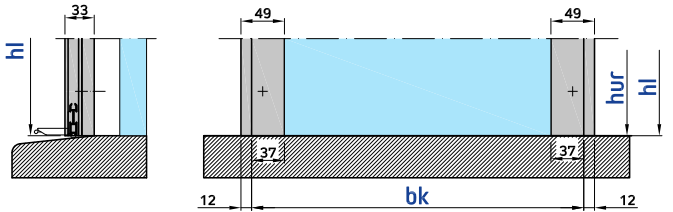
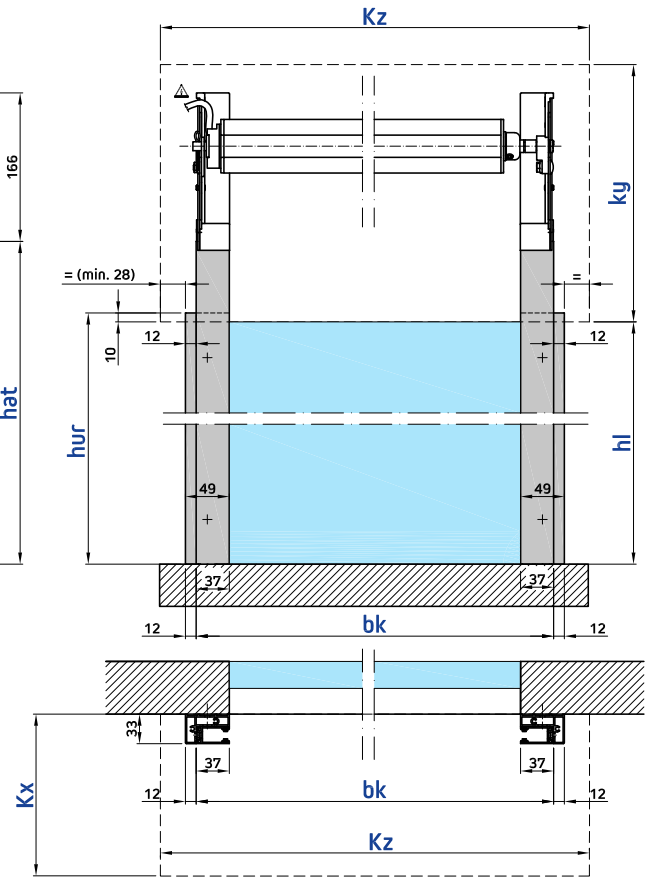
Mounting profile SGR with Quickroll®



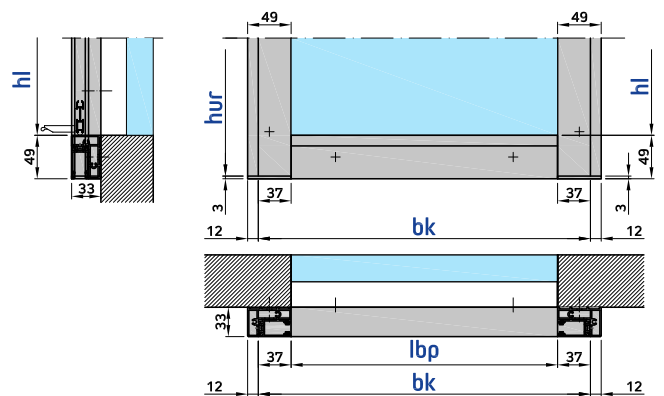
Version with bottom cover



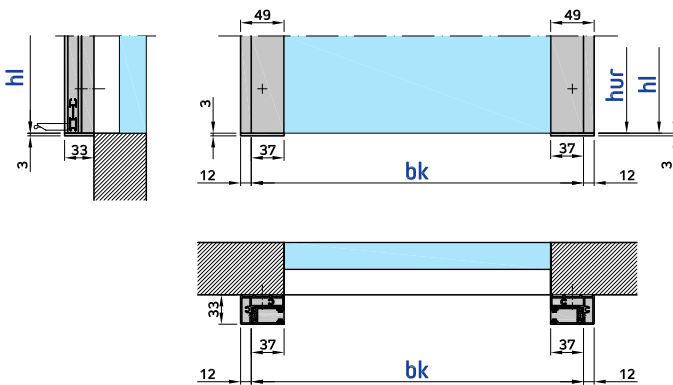
Version for traditional shutter box



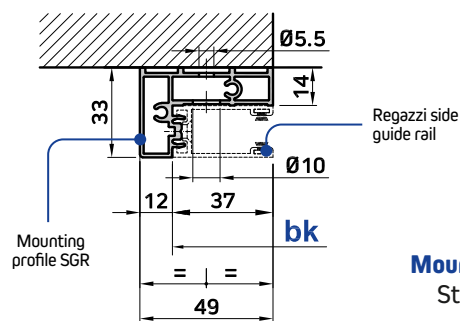
Configuration A (standard)
Mounting profile SGR



Configuration C
Mounting profile SGR with blackout profile



Configuration B
Mounting profile SGR with end cap



Mounting profile SGR
Standard drilling

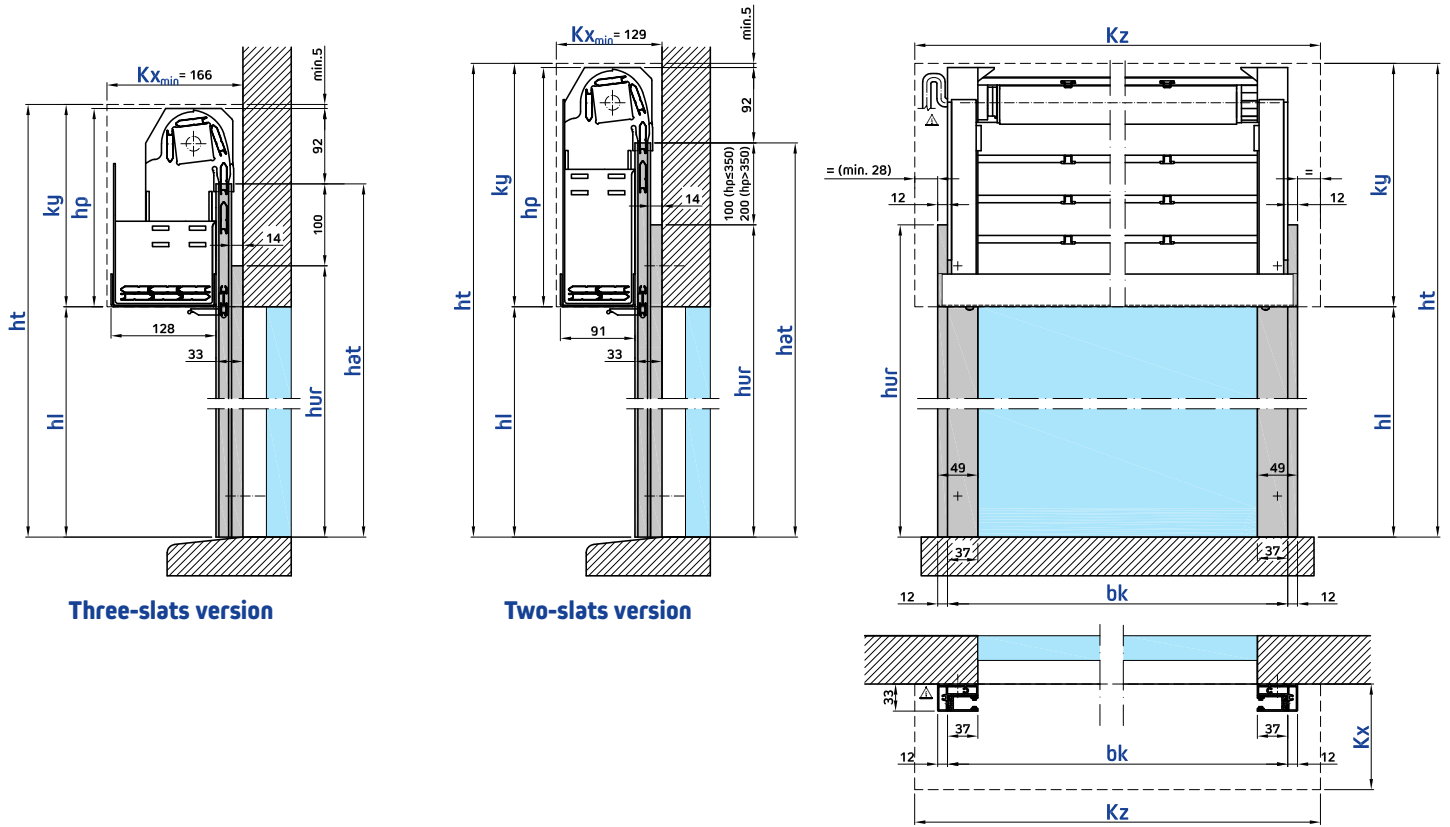
Legend

bk width of construction
hl opening height
D winding outer diameter
w mant width of bottom cover

Kx minimum inner shutter box depth
Ky minimum inner shutter box height
Kz minimum inner shutter box width
hat total length of side guide rails

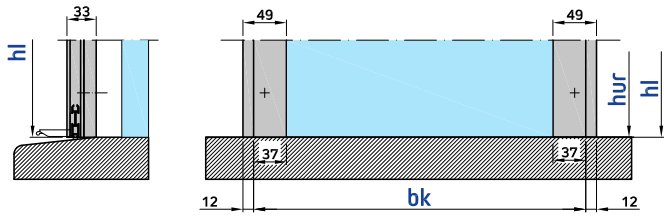
hur length of mounting profile SGR
lbp length of blackout profile
X horizontal roller adjustment
Y vertical roller adjustment

Mounting profile SGR with Plial®

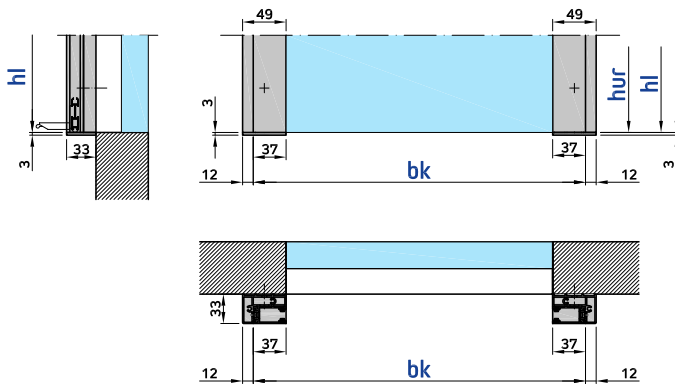


Three-slats version

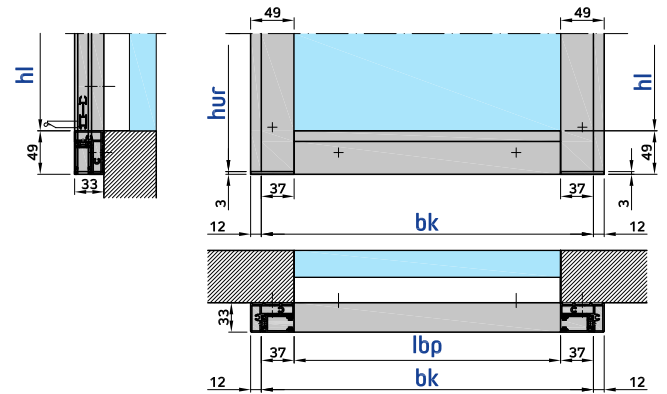
Two-slats version



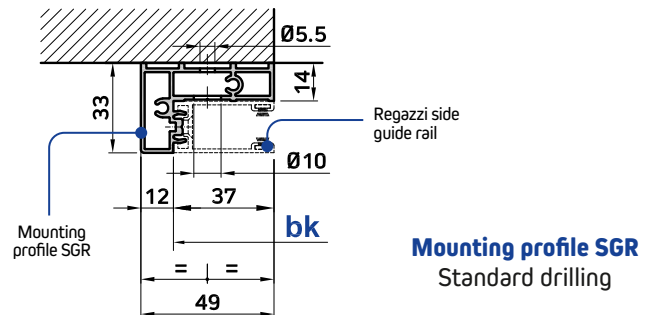
Configuration A (standard)
Mounting profile SGR



Configuration B
Mounting profile SGR with end cap



Configuration C
Mounting profile SGR with blackout profile



Mounting profile SGR
Standard drilling

Legend

bk	width of construction	Kx	minimum inner shutter box depth
hl	opening height	Ky	minimum inner shutter box height
ht	total height ($hl + Ky$)	Kz	minimum inner shutter box width

hp	package height
hat	total length of side guide rails
hur	length of mounting profile SGR
lbp	length of blackout profile

Technical data

Mounting profile SGR with QuickRoll®

Maximum opening height (hl) ⁽¹⁾

- Lineal® 3mm 2'300 mm
- Lineal® 9mm 2'300 mm

Minimum opening height (hl) 400 mm

Width of construction (bk)

- minimum 300 mm
- minimum with motor 640 mm
- minimum with radio motor 770 mm
- maximum 2'500 mm

Maximum winding outer diameter (D)

- QuickRoll® mini bracket 180 mm
- QuickRoll® bracket 215 mm

Type of bracket/roller shutter

- QuickRoll® mini bracket
- with Lineal® up to hl= 1'500 mm
- QuickRoll® bracket
- with Lineal® over hl= 1'500 mm

Width of bottom cover (w mant)

- QuickRoll® mini 60÷200 mm
- QuickRoll® 60÷250 mm

Maximum surface area (bk x hl) 6 m²

Maximum weight (other roller shutters) 20 kg

Shutter curtains can not be coupled

Sliding arm for side guide rails not possible

		Minimum inner shutter box dimensions (Kx and Ky)							
		hl	1'000	1'250	1'500	1'750	2'000	2'250	2'500 ⁽¹⁾
Lineal® 3mm	60	D	140	155	170	175	185	190	200
		Kx	169	184	199	204	214	219	229
		Ky	261	261	266	266	281	286	301
		X	80	88	95	98	103	105	110
		Y	42	42	42	42	36	32	22
	60	D	140	155	165	175	185	190	200
		Kx	169	184	194	204	214	219	229
		Ky	261	261	261	266	281	286	301
		X	80	88	93	98	103	105	110
		Y	42	42	42	42	36	32	22
	70	D	150	160	170	175	185	195	200
		Kx	179	189	199	204	214	224	229
Ky		261	261	266	266	281	291	301	
X		85	90	95	98	103	108	110	
Y		42	42	42	42	36	28	22	
Lineal® 9mm	60	D	150	165	175	180	190	200	210
		Kx	179	194	204	209	219	229	239
		Ky	261	261	266	271	286	301	316
		X	85	93	98	100	105	110	115
		Y	42	42	42	40	32	22	14
	70	D	155	165	175	185	195	205	215
		Kx	184	194	204	214	224	234	244
		Ky	261	261	266	281	291	306	321
		X	88	93	98	103	108	113	118
		Y	42	42	42	36	28	18	10

Technical data

Mounting profile SGR with Plial®

Maximum installation height (hk)

- with motor drive 3'000 mm
- with manual drive
 - standard reduction winch (3:1): [- -] 2'960 mm
[- - -] 2'900 mm
 - narrow reduction winch (5:1): [- -] 2'200 mm
[- - -] 2'165 mm

Maximum opening height (hl)

[- -] 2'560 mm
[- - -] 2'650 mm

Minimum opening height (hl)

400 mm

Width of construction (bk)

- minimum 400 mm
- minimum with motor 570 mm
- minimum with radio motor 660 mm
- maximum 2'700 mm

Maximum surface area (bk x hk)

- with motor drive
 - single shutter curtain 7 m²
 - coupled shutter curtains 10 m²
- with manual drive
 - single shutter curtain 6,5 m²
 - coupled shutter curtains 6,5 m²

Coupled shutter curtains

- number of shutter curtains that can be coupled with a single drive 2 or 3 shutter curtains
- middle control side only with manual drive -

Weight per m²

approx. 3,5 kg

Two-slats version [- -]

Three-slats version [- - -]

(1) In case of intermediate dimensions, use the next higher Ky dimension.

(1) $K_y = h_p + \text{min. } 5\text{mm}$

	Minimum inner shutter box dimensions (Kx and Ky)		
	hl	Ky ⁽¹⁾	Kx
Two-slats version [- -]	880	230	129
	940	240	
	1'040	250	
	1'135	260	
	1'195	270	
	1'295	280	
	1'390	290	
	1'450	300	
	1'550	310	
	1'645	320	
	1'705	330	
	1'765	340	
	1'860	350	
	1'920	360	
	2'050	370	
	2'110	380	
	2'200	390	
2'300	400		
2'395	410		
2'455	420		
2'515	430		
2'560	440		
Three-slats version [- - -]	1'270	230	166
	1'330	240	
	1'460	250	
	1'555	260	
	1'685	270	
	1'780	280	
	1'875	290	
	2'075	300	
	2'100	310	
	2'300	320	
	2'500	330	
	2'525	340	
2'650	350		